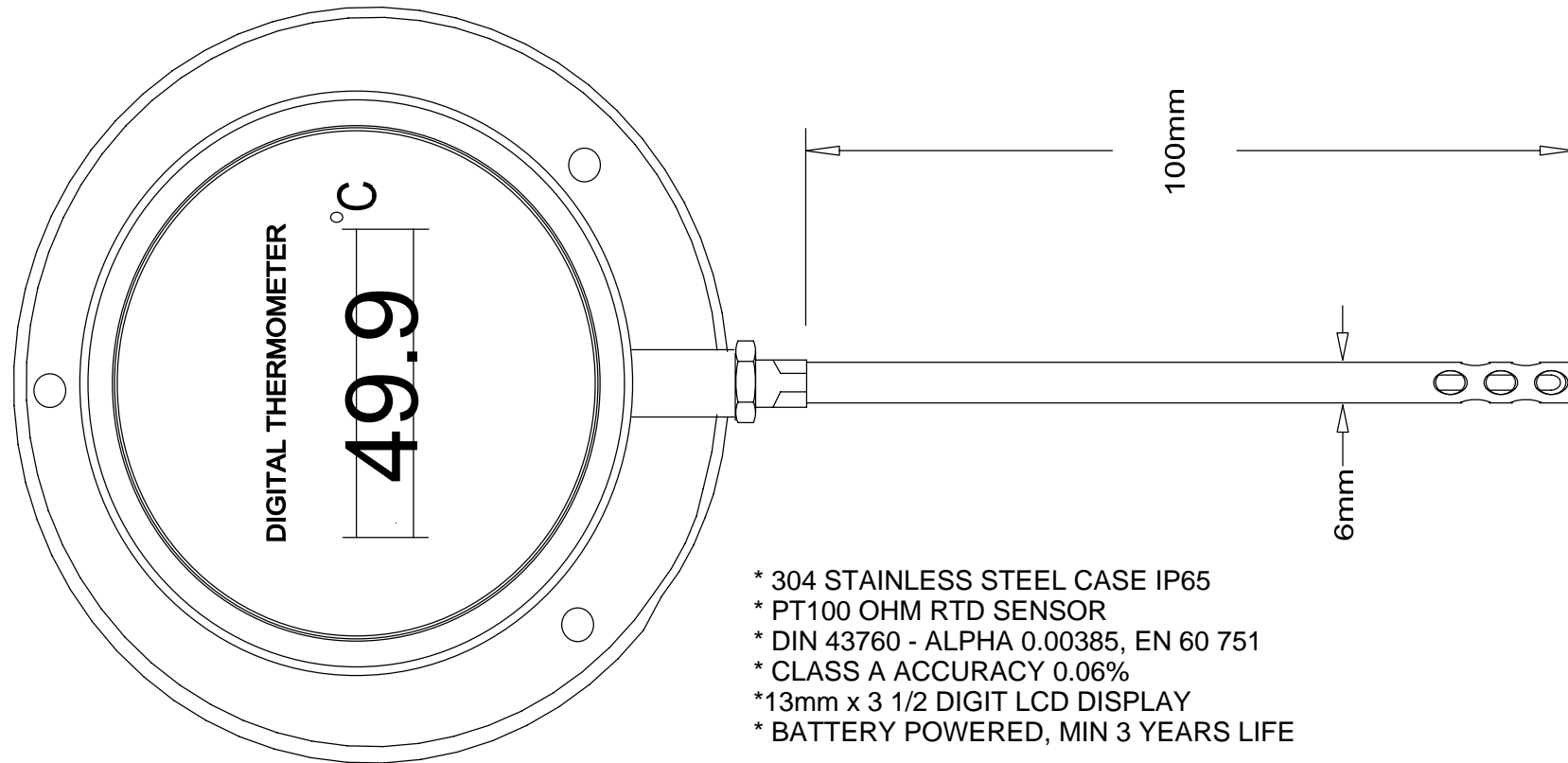


INDUSTRIAL AIR TEMPERATURE SENSOR

100mm DIAMETER, LCD DIGITAL DISPLAY THERMOMETER



- * 304 STAINLESS STEEL CASE IP65
- * PT100 OHM RTD SENSOR
- * DIN 43760 - ALPHA 0.00385, EN 60 751
- * CLASS A ACCURACY 0.06%
- * 13mm x 3 1/2 DIGIT LCD DISPLAY
- * BATTERY POWERED, MIN 3 YEARS LIFE

**MODEL DPT - 3SM/AIR
BACK FLANGE SURFACE MOUNT**

TEMPERATURE CONTROLS PTY LTD		QUALITY ENDORSED COMPANY Certificate No: QEC 14412 AS/NZS 9001:2008
<p>CONDITIONS</p> <p>THIS DRAWING IS OUR EXCLUSIVE PROPERTY AND MUST NOT BE COPIED OR HANDED TO ANY OTHER PARTIES WITH OUT WRITTEN PERMISSION. IT SHALL BE RETURNED UPON REQUEST</p>	SYDNEY: 7 YAMMA ST SEFTON NSW 2162 PHONE: (02) 9721 8644 FAX: (02) 9738 9339 MELBOURNE: 8/280 WHITEHALL ST YARRAVILLE VIC 3013 PHONE: (03) 9687 0000 FAX: (03) 9687 1900 BRISBANE: 28A/125 KERRY RD ARCHERFIELD QLD 4108 PHONE: (07) 3373 8424 FAX: (07) 3373 8067 EMAIL: sales@temperature.com.au	
	TITLE	
SIZE : A4	DATE : 19/01/16	DWG NO : SD 642
SCALE : NTS	DRAWING BY R.B	REV : 01